

PROJECT	QUANTITY
---------	----------

P3L Ellipsoidal Light (Clamp)

90W LED/ 19° / 36°



ORDERING GUIDE

CXP3L - - - - **CLP** - **PSV** -

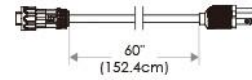
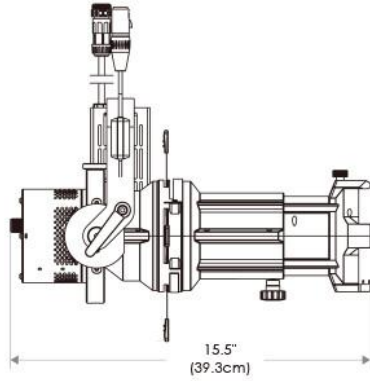
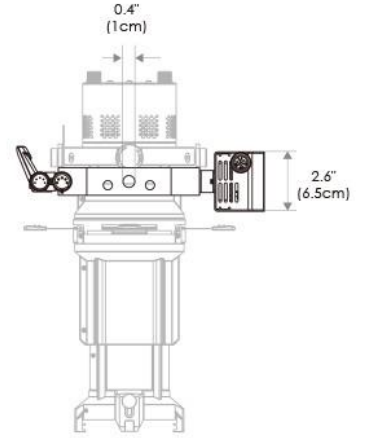
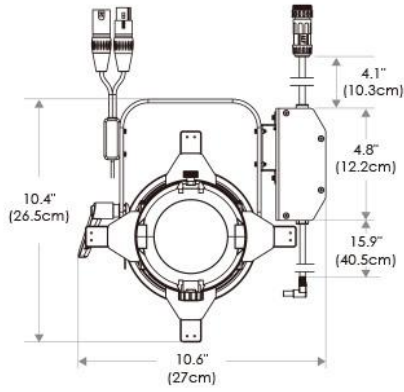
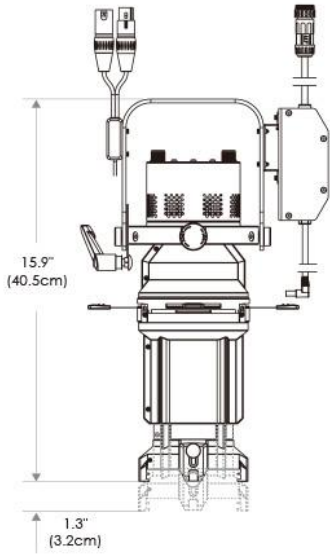
Field Angle	
19	19°
36	36°
Mode	
CLR	All Modes
EZ	All EZ Modes
RGB	RGB Mode Only
CCT	Tunable CCT Mode Only
3200	Fixed 3200K
5600	Fixed 5600K
Finish	
WH	White
BK	Black
Mount	
CLP	Clamp Mount
Power Supply & Control	
PSV	Power Supply
Plug/Connection	
US	US 120V
EU	EU 220V

SPECIFICATIONS

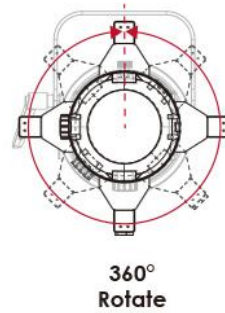
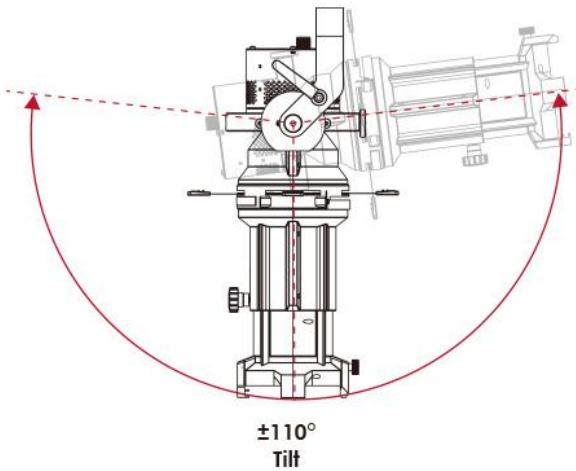
Beam Angle	19° / 36°
CRI / TLCI	95/90 typical (in CCT Mode of 2800K-6500K)
Dimming	100% - 0% flicker free
Power Draw	90W max
AC Input	100 - 240V AC, 50 - 60Hz
Remote Control	DMX 512
Cooling	Fan Cooled
Acoustic Noise	17 dBA
Operating Temp.	32 - 104°F (0 - 40°C)
Weight (Fixture + Power Supply)	8.1lb / 3.7kg
Gobo Size	Diameter: M Size (66mm)
	Max Image: 48mm
	Max Thickness: 1mm

- Cine-Grade Light Quality
- Point-Source LED
- DMX Controllable
- 90W Power Draw
- Carries Four Shutter Blades

MECHANICAL FIGURES

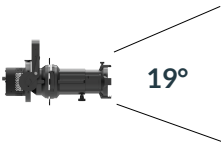


TILT/ROTATION

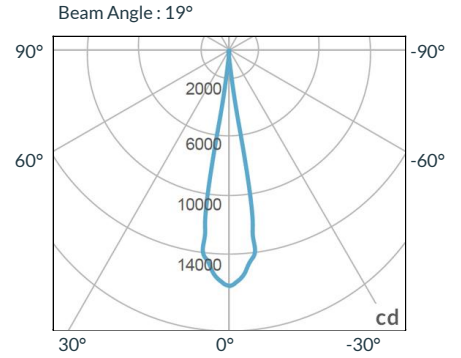


PHOTOMETRIC DATA

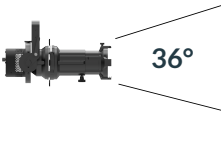
19 Degree



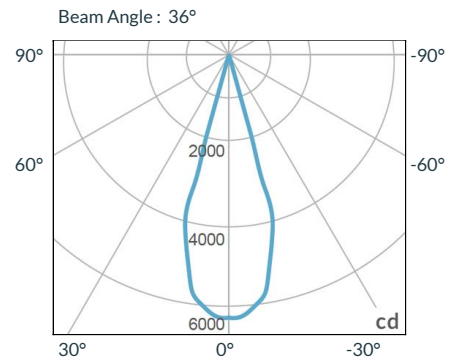
Distance		3' (~0.9 m)	10' (~3.0 m)	15' (~4.6 m)
@3200K	fc	1913	156	76
	lux	20592	1680	819
@5600K	fc	2083	170	83
	lux	22422	1830	894
Beam Diameter		Ø 0.9' (~0.3m)	Ø 3.0' (~0.9m)	Ø 4.5' (~1.4m)



36 Degree



Distance		3' (~0.9 m)	10' (~3.0 m)	15' (~4.6 m)
@3200K	fc	743	60	29
	lux	7998	646	313
@5600K	fc	820	67	32
	lux	8827	722	345
Beam Diameter		Ø 1.7' (~0.5m)	Ø 5.6' (~1.7m)	Ø 8.2' (~2.5m)



MODE DESCRIPTION

Mode Description	Available Modes
- CLR	All Modes (8 bit and 16 bit)
- EZ	All EZ Modes (8 bit) (EZ CCT / EZ HSI / EZ RGBW / EZ RGB / EZ ICTHS / EZ ICT RGBW / EZ 3200K / EZ 5600K)
- RGB	EZ RGB (8 bit)
- CCT	EZ CCT (8 bit)
- 3200	EZ 3200K (8 bit)
- 5600	EZ 5600K (8 bit)

See Downloads portion of webpage for full DMX profiles